

# COMPACK

MC120/MC160/MC250/MC400

 **HOLON SEIKO CO., LTD.**

[www.holon-seiko.co.jp](http://www.holon-seiko.co.jp)

# COMPACK

MC120/MC160/MC250/MC400

## Granulator for Plastic Runners

### Low speed(minimal noise)operation and compact design

Equipped with a compact geared motor (including a hypoid gear), the Compack's compact design allows for easy placement alongside the plastic molding machine. It features a new, simple design that reflects Holon Seiko's revolutionary approach to industrial granulators. Because of this unique design, the Compack is able to conform well to any factory setting.



### Long Life Expectancy

The Compack is composed of alloy steel parts which provide superior protection against abrasion. Even when this granulator is used solely for the constant granulation of material containing glass fiber, the same reliable output can be expected long-term.

The granulator's fixed blades feature for long life expectancy.



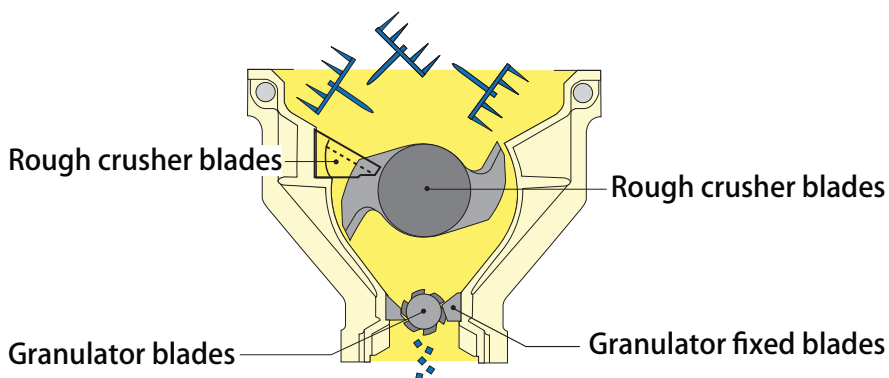
Fixed blades

### Complete Elimination of Cutting Errors

The Compack completely eliminates the possibility of cutting errors by passing the plastic runners through the rough crushing blades and the granulator blades only one time each. The granulator's unique comb teeth blades also make any cutting errors virtually impossible. Additionally, this machine features a screenless operation that prevents materials from getting jammed between the blades.

### Easy, Thorough Cleaning

Covers of both sides of the granulator can be opened to facilitate full viewing of the rough crusher and granulator blades during detailed cleanings. All old product residues can be completely removed before the addition of new materials.



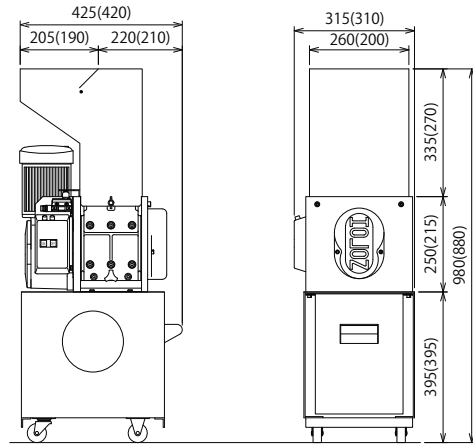
Compack's Screenless System



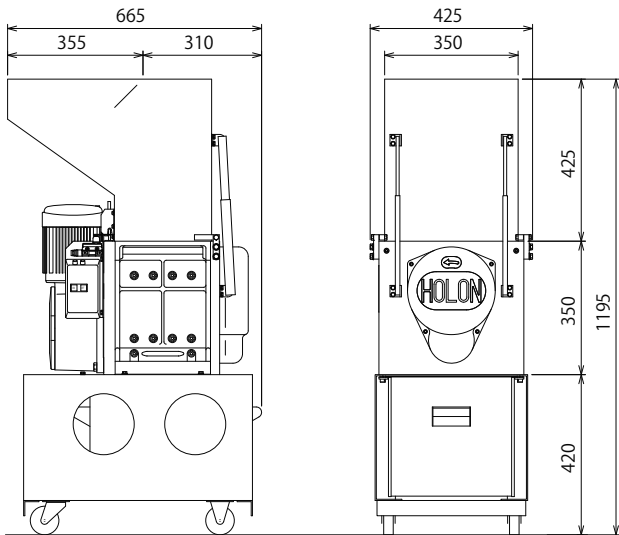
During routine cleaning, the rough crusher and granulator blades can be seen completely.



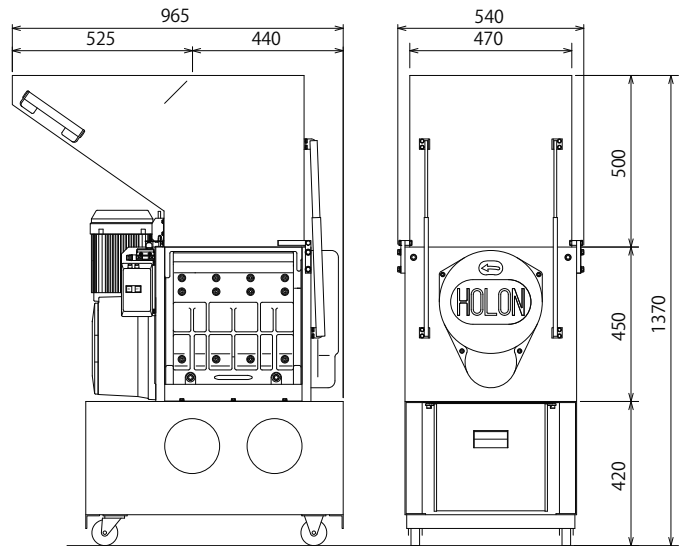
## MC160-4(MC120-2)



## MC250-7



## MC400-15



### Vacuum powered Reception Box (optional accessory)

Connect the hose to the hopper loader to conveniently divert materials from this receptacle.



### Waste Receptacle (optional accessory)

Collect your materials easily by reusing the empty bag from the original raw material.



### Cleaning by the air (optional accessory)

By simply connecting with the compressed air, you can easily clean the machine, as well as shorten the cleaning time without any release of debris outside the machine.



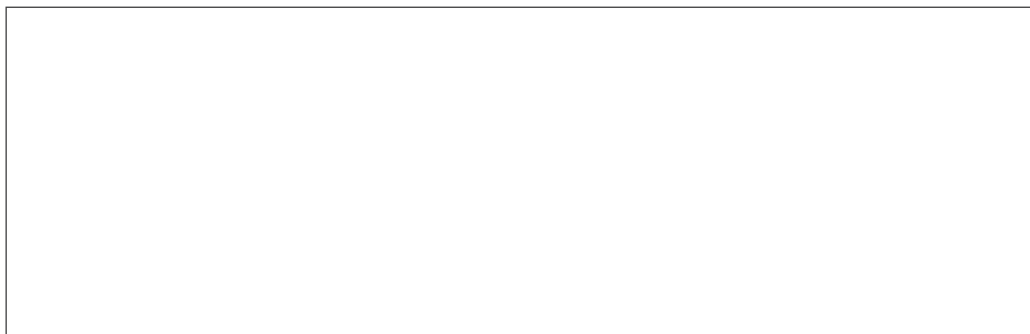
## ■ Specifications

Model	Geared motor	Crushing blade's revolutions per minute	Granulating blade's revolutions per minute	Granulating blade's upper section size	Granulating blade's size (w×h×number)	Material recovery tank's capacity	Weight	Runner size
	(KW)	50/60Hz (rpm)	50/60Hz (rpm)	(mm)	(mm) (optional accessory)	(L)	(Kg)	(L mm) (D mm)
MC120-2	0.2	20/24	37/45	120×120	4×5×80 (3×5×90)	20	55	~100 ~6
MC160-4	0.4	21/25	50/60	160×160	4×5×105 (3×5×125)	20	69	~140 ~7
MC250-7	0.75	15/18	50/60	250×250	6×6×144 (5×6×156) (4×5×238)	40	170	~230 ~9
MC400-15	1.5	14/17	50/60	400×400	6×6×234 (5×6×258) (4×5×384)	40	340	~380 ~12

Electrical power cord measures 4.5 meters. All models require an adaptor with three-phase , which is not included. Specifications and design are subject to change without prior notification.

All of our machines feature a one year warranty effective from the date of installation.

This warranty is limited to the replacement of parts. Holon Seiko assumes no liability for the products produced from these machines, for any difficulties encountered in the production process, or for any loss that may result from these problems.



 **HOLON SEIKO CO., LTD.**

3813-191 Kamiyamada, Chikuma-City, Nagano-Ken 389-0822 Japan

Phone. +81-262-76-0323 Fax. +81-262-75-6284

E-mail : [info@holon-seiko.co.jp](mailto:info@holon-seiko.co.jp)

URL : [www.holon-seiko.co.jp/en](http://www.holon-seiko.co.jp/en)